

**SINGER**  
**10UJ13**

# PARTS LIST

# PROFESSIONAL 10 UJ13

THIS LIST OF PARTS HAS BEEN REVISED TO MEET THE SINGER CONSUMER PARTS NUMBERING SYSTEM. ALL ORDERS PLACED MUST BE DIRECTED TO THE CP-PARTS DISTRIBUTION CENTER AT MURFREESBORO.

From the library of: Diamond Needle Corp

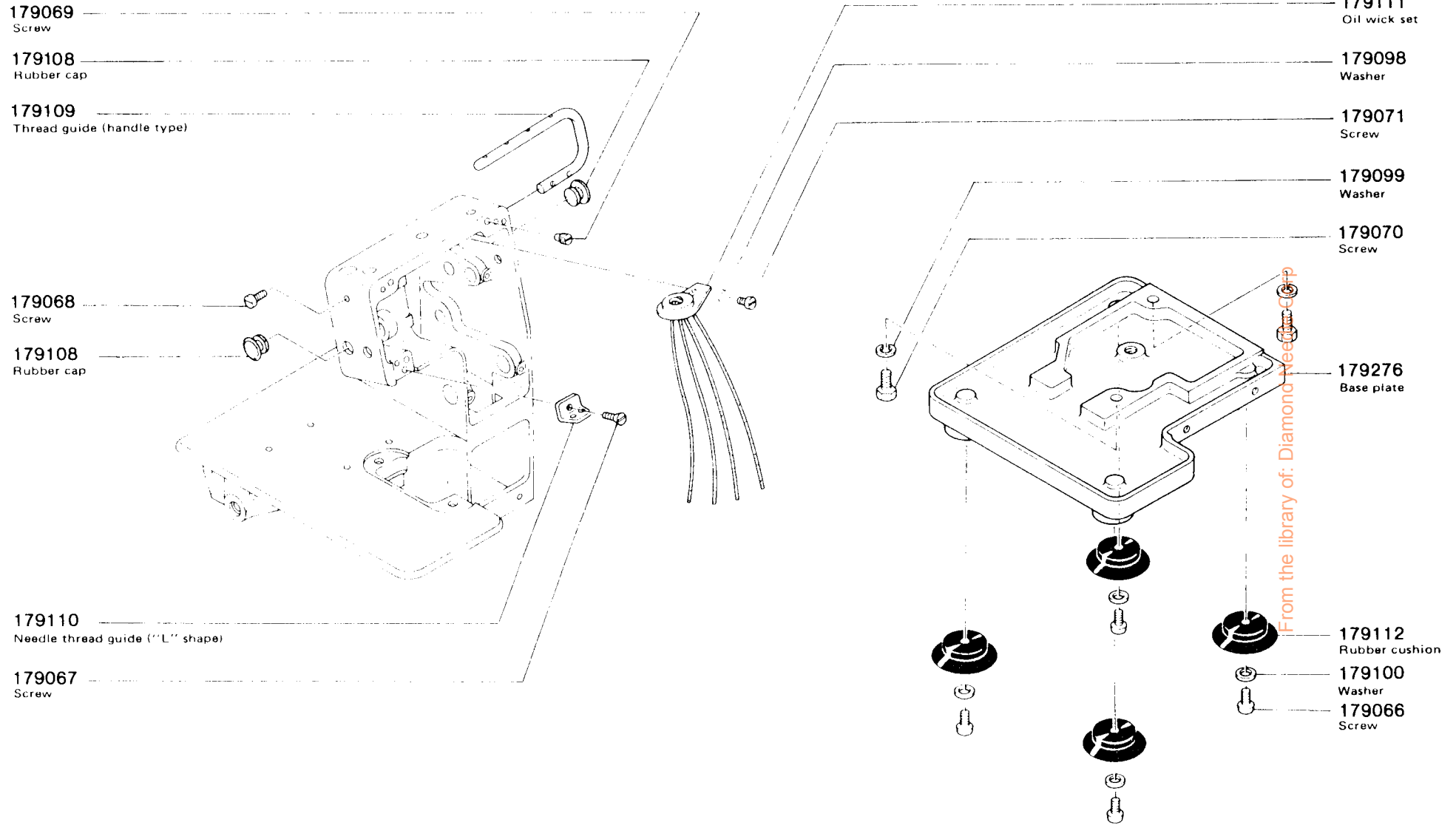


FORM NO. 21825  
1/80

# SINGER\*

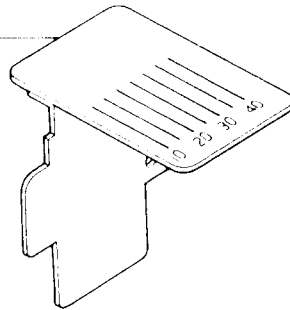
\* The set parts marked with \*\*, are available only as combination parts, and are not sold separately. Should you require them, kindly purchase the entire set.

# 1. Base plate, Handle, and Oil wick

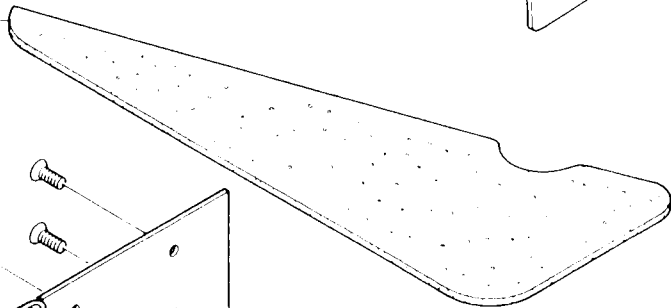


## 2. Covers

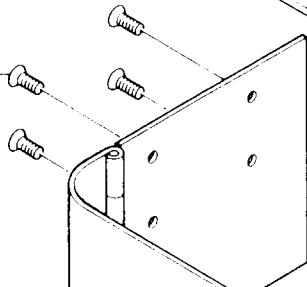
179113  
Sewing margin gauge



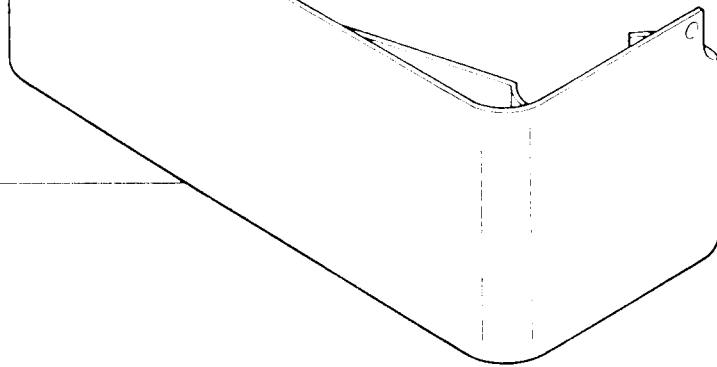
179114  
Pouch felt



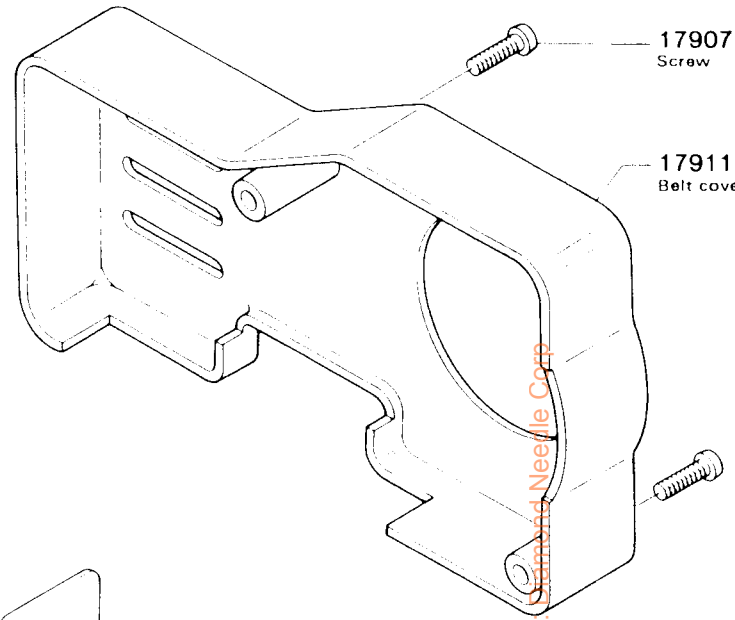
179073  
Screw



179115  
Side cover



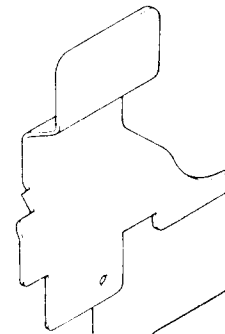
179072  
Screw



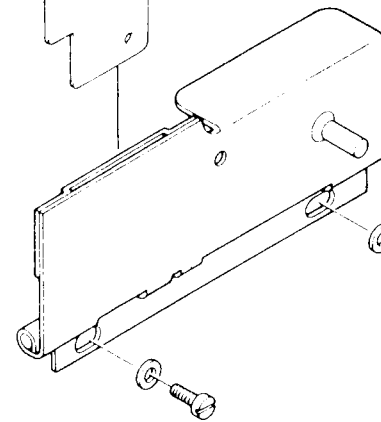
179116  
Belt cover

From the library of Summit Needle Corp

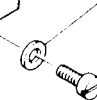
179117  
Knife cover



179118  
Front cover

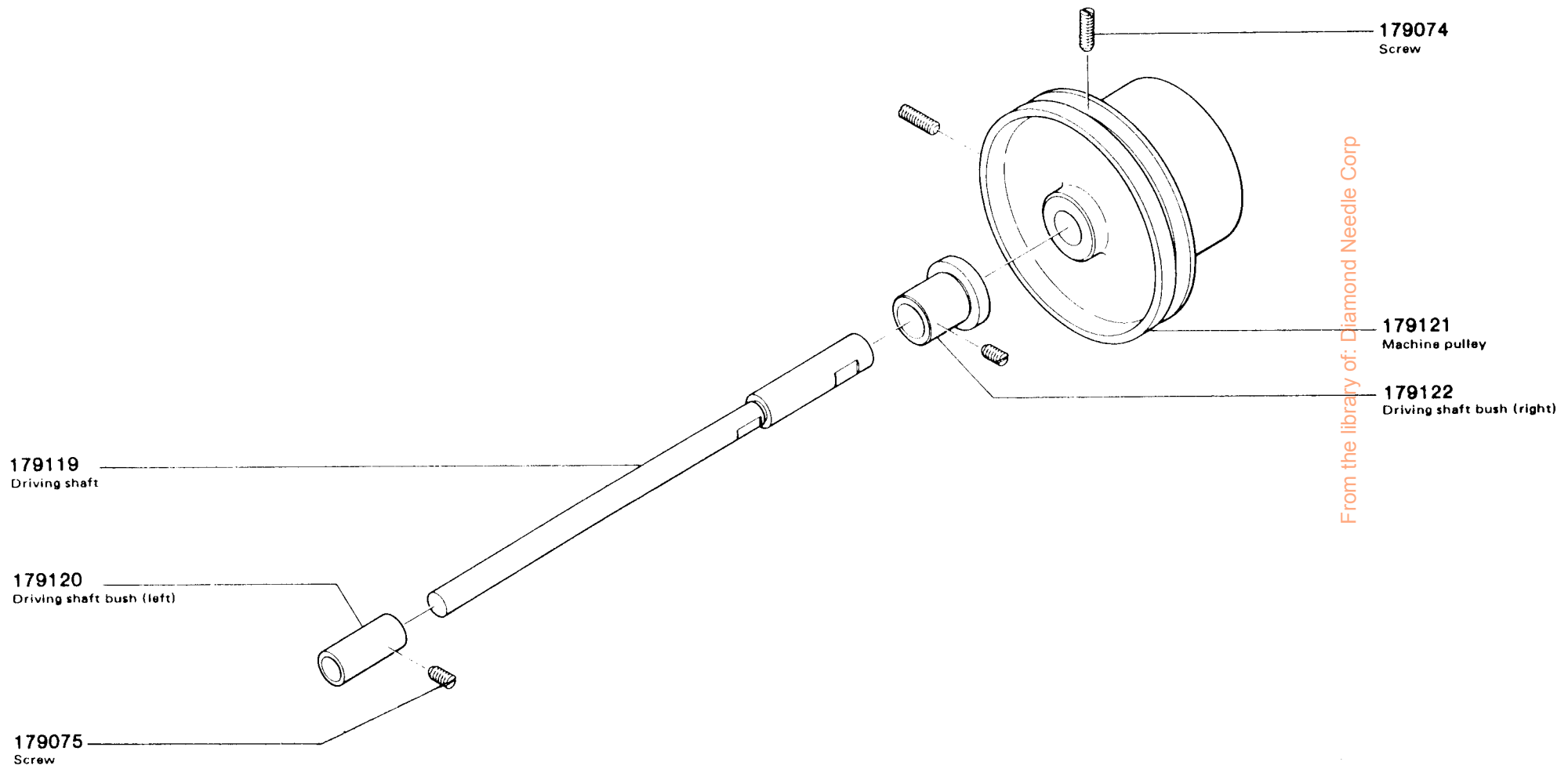


179101  
Washer

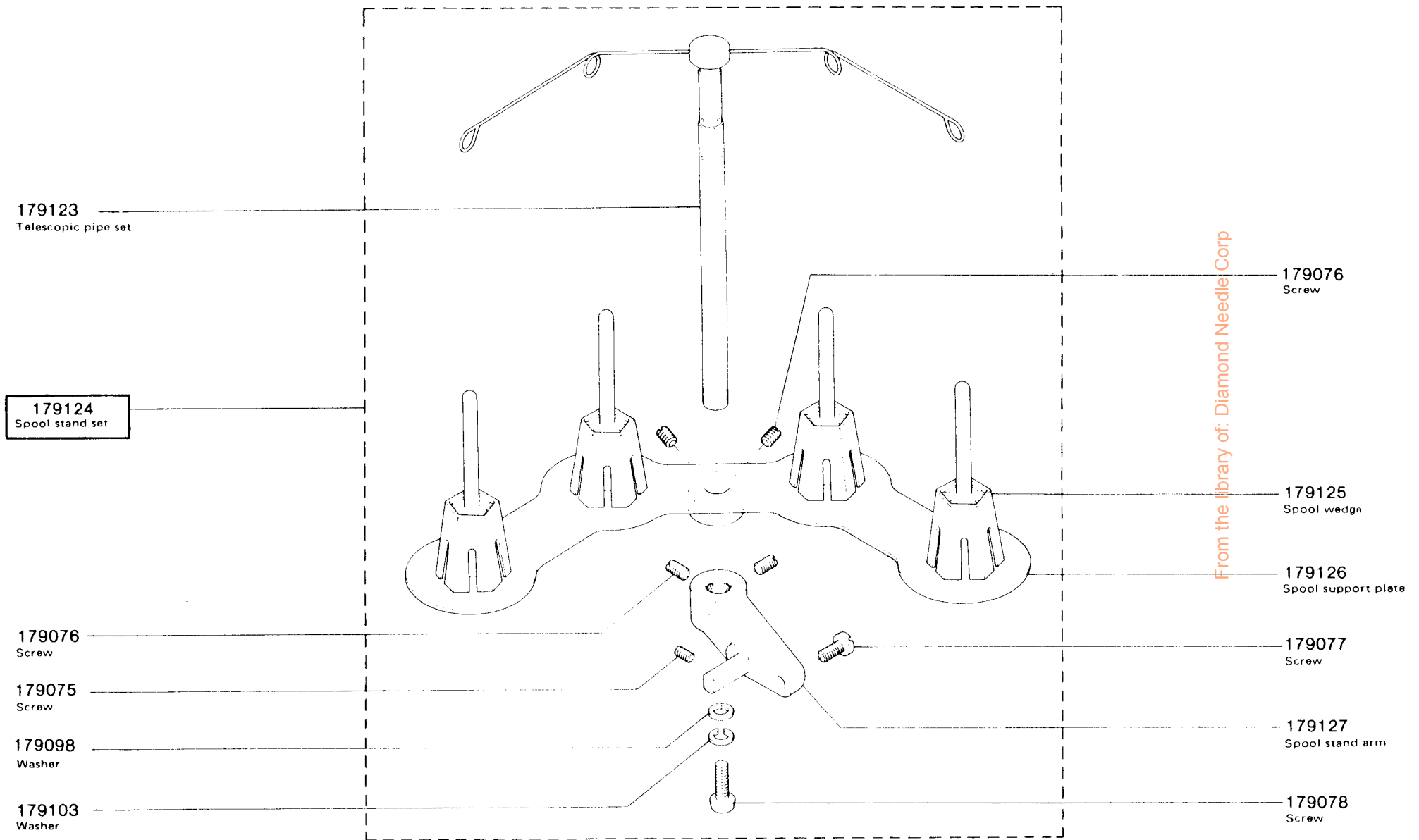


179068  
Screw

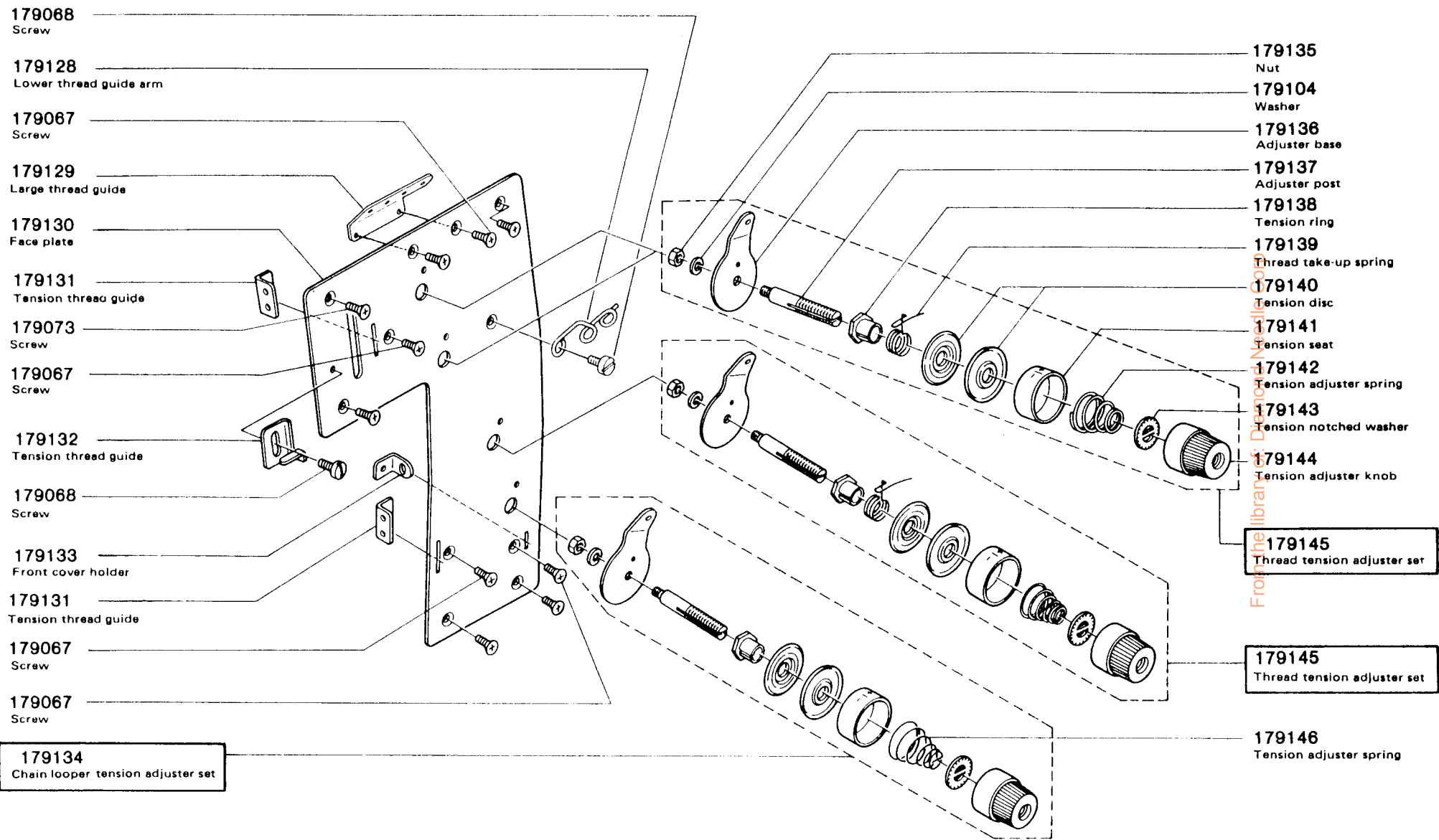
### 3. Machine pulley



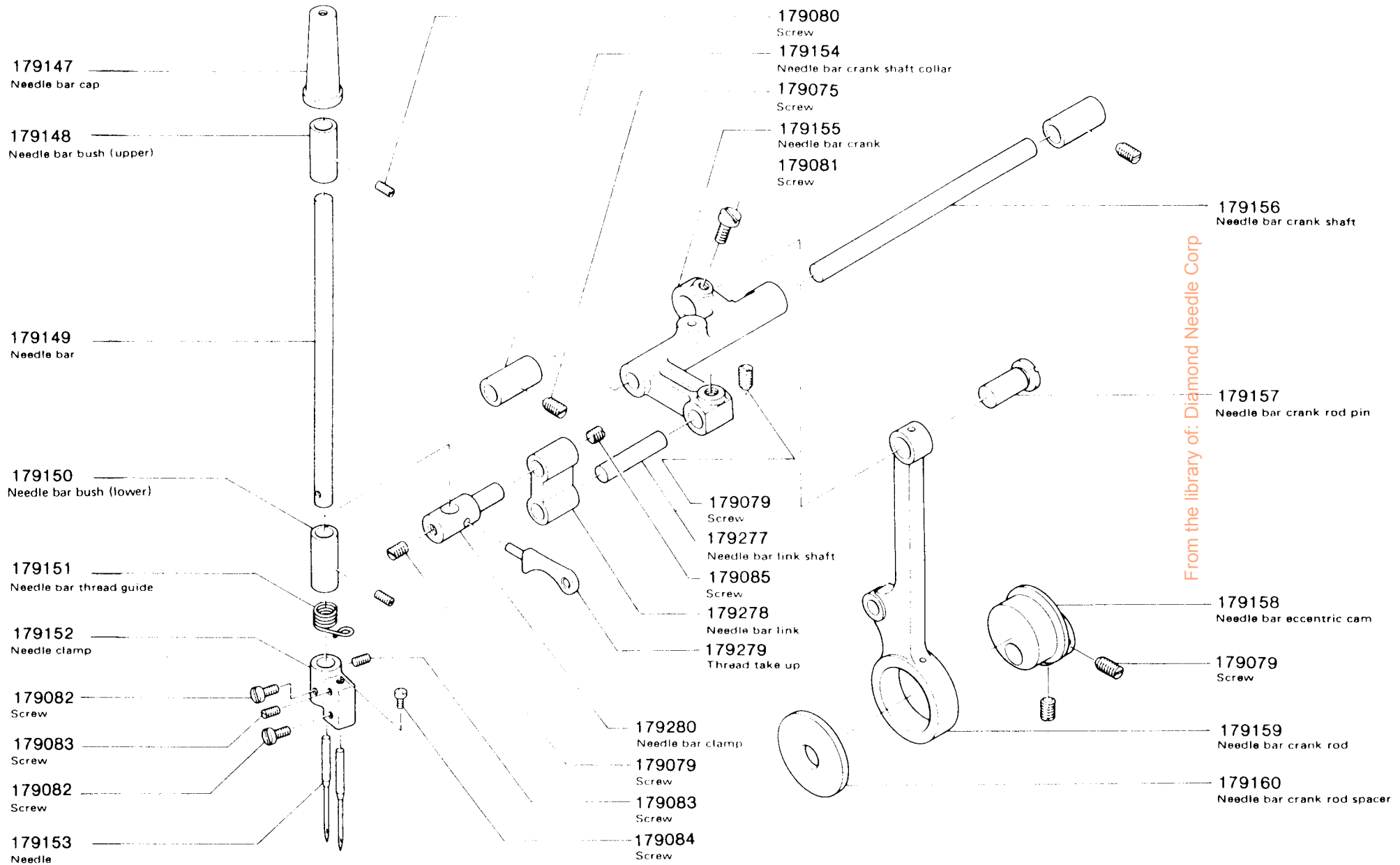
# 4. Spool stand components



# 5. Face plate and Tension adjuster

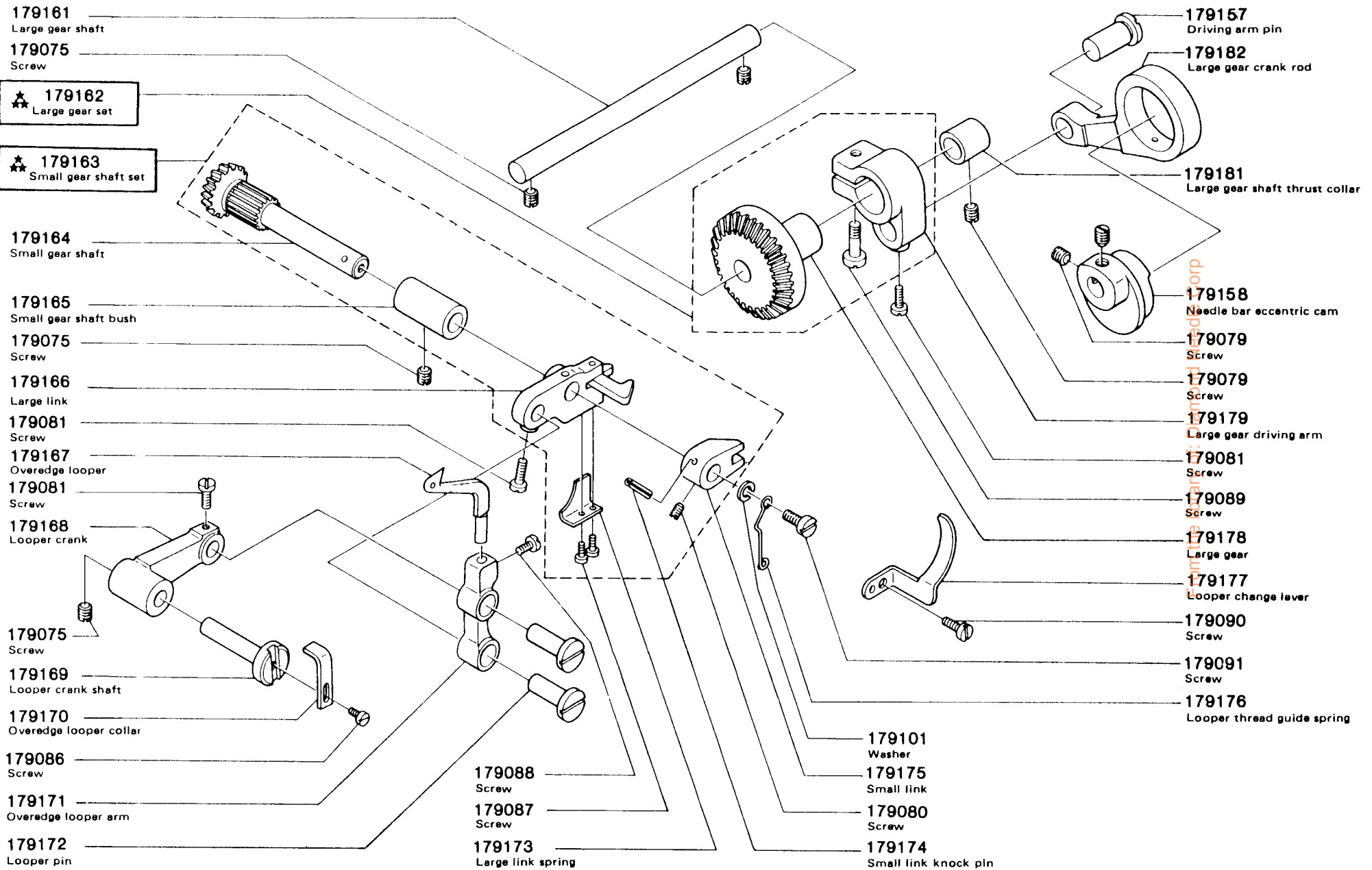


## 6. Needle bar components

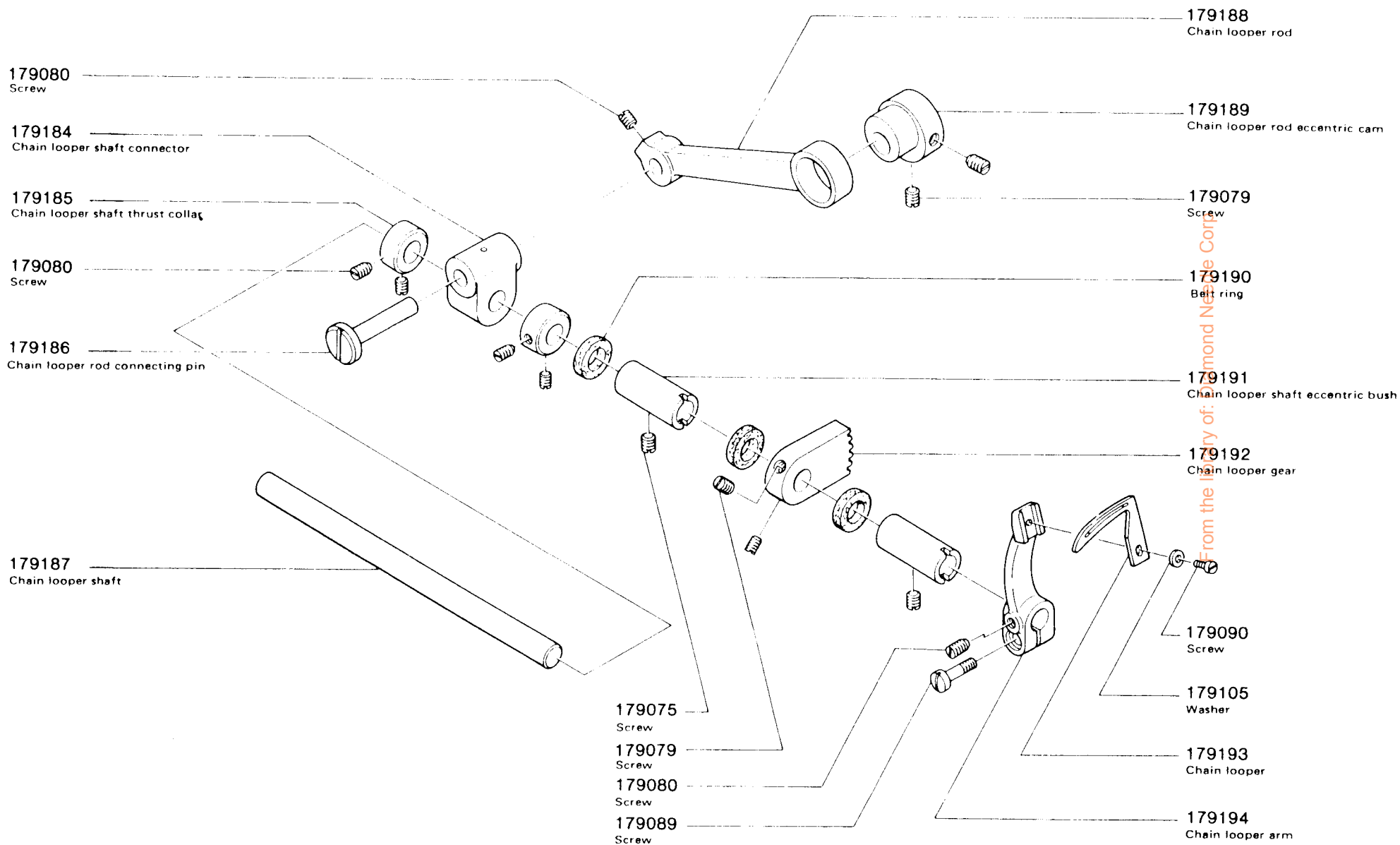




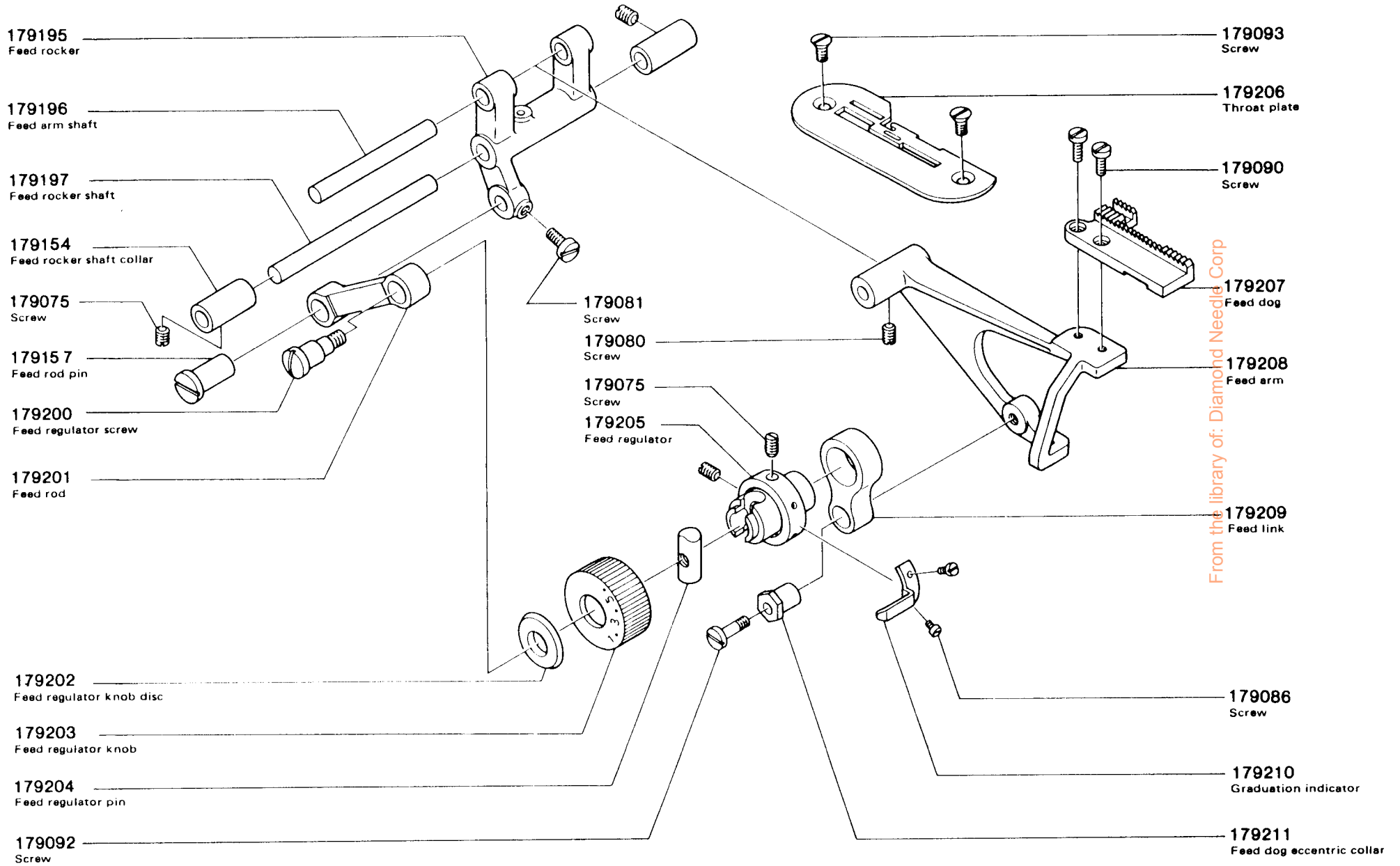
# 7. Overedging looper components



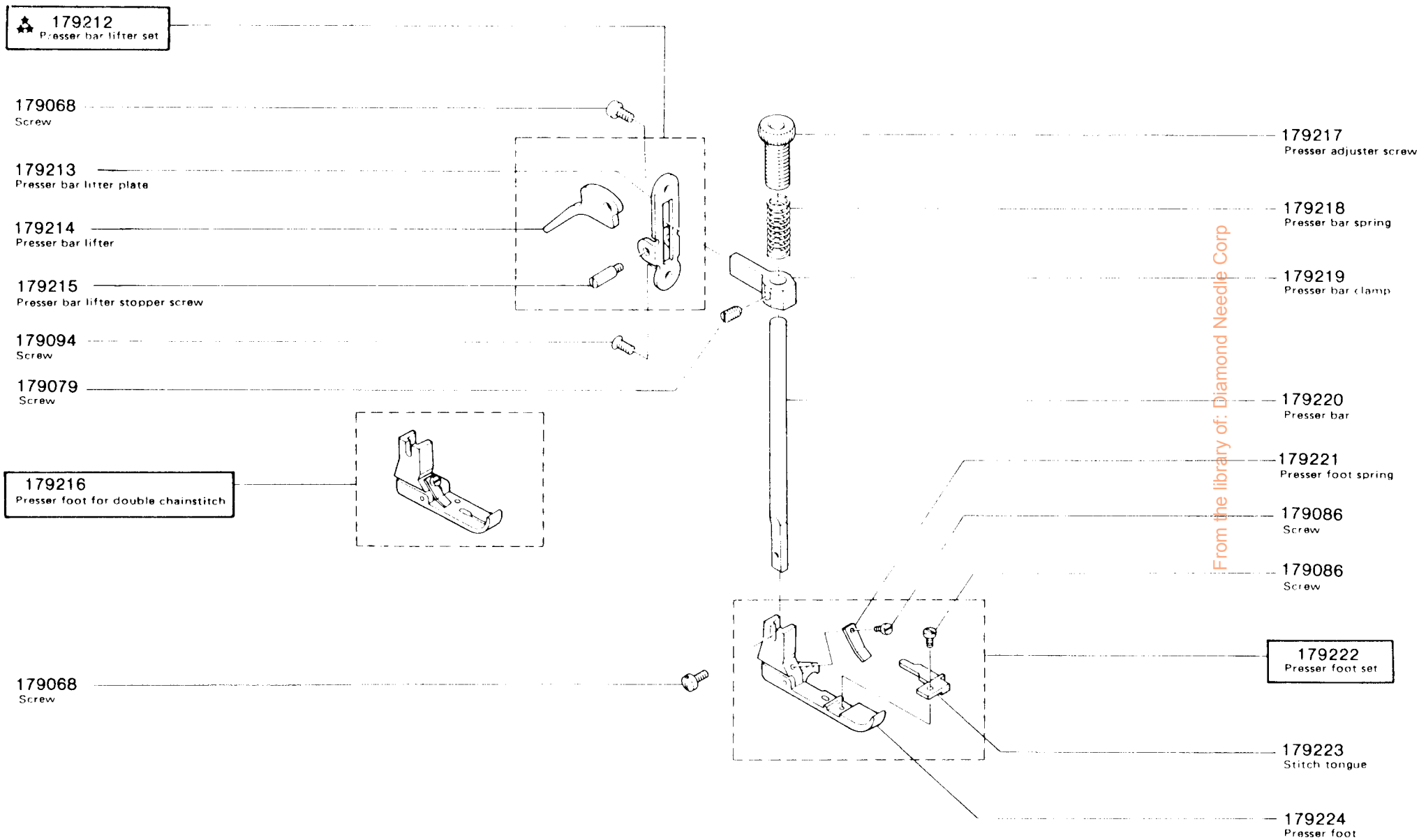
## 8. Double chain stitching looper components



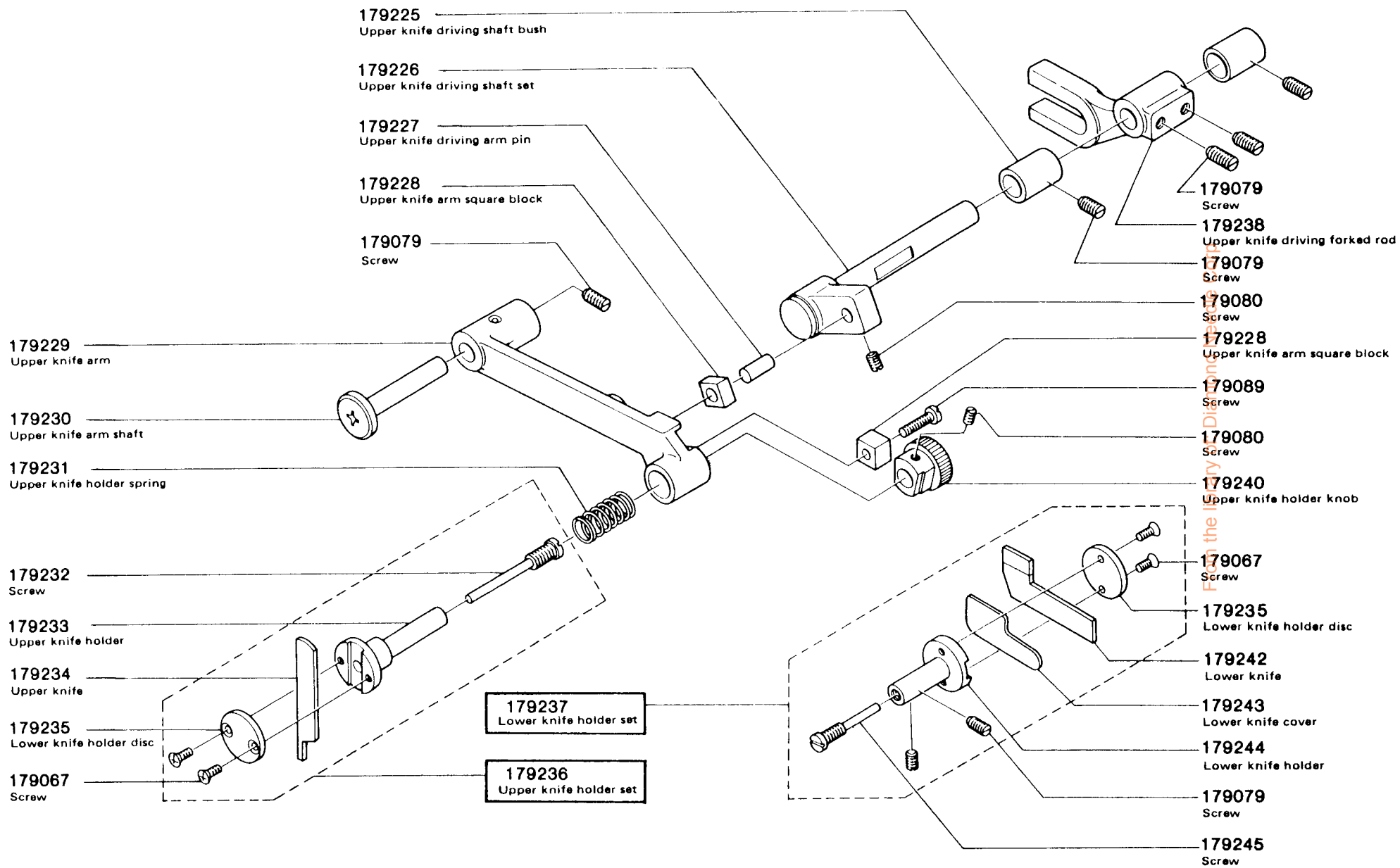
# 9. Feed mechanism components



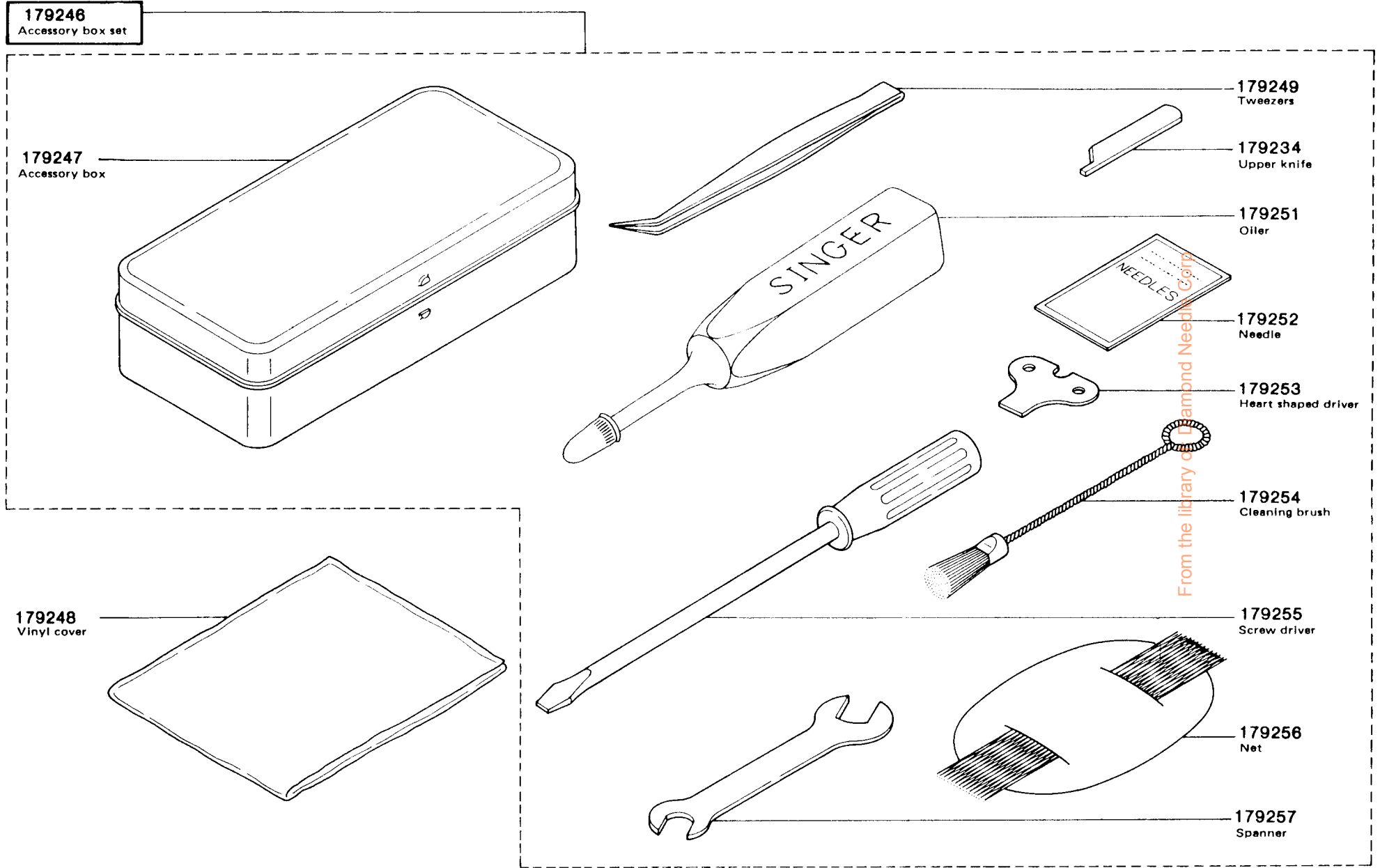
# 10. Presser foot components



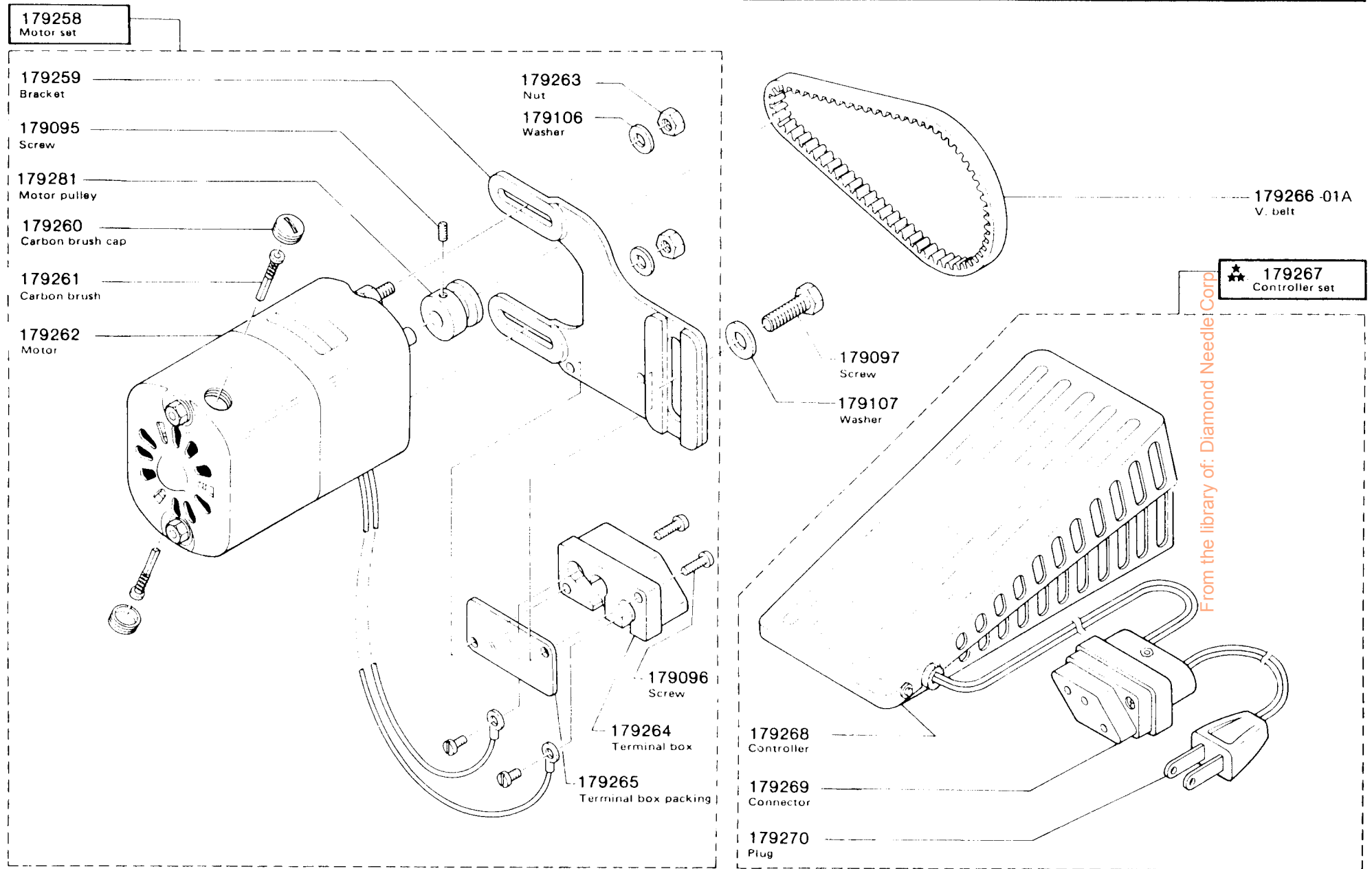
# 11. Knife components



# 12. Standard accessories

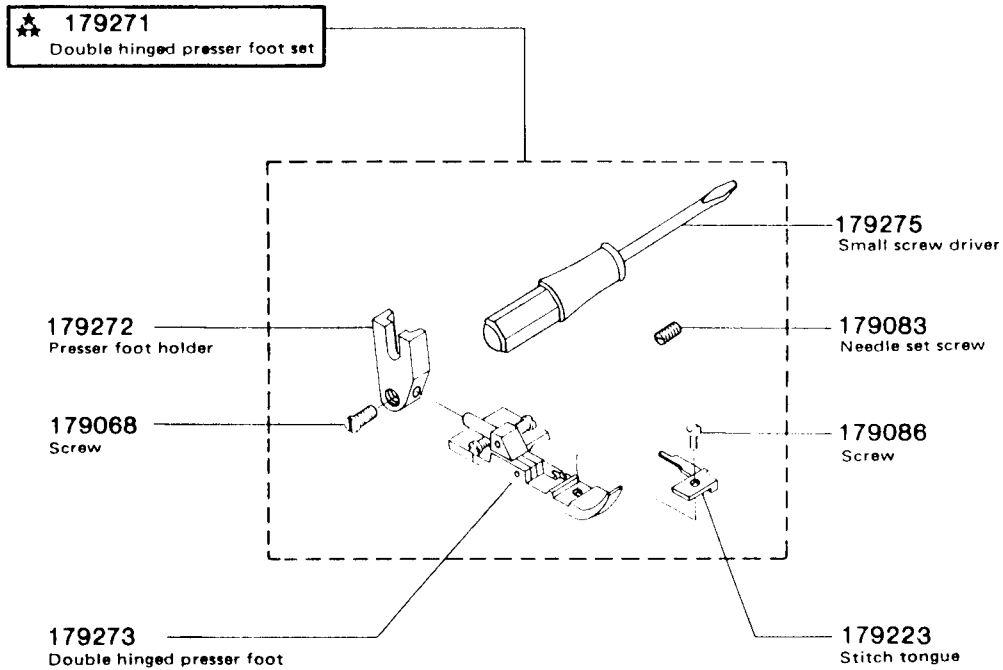


# 13. Motor and controller components



## 14. Option parts

## Memo



- When this double hinged presser foot is put to use, change the needle set screw of the chain needle No. 179082 for Screw No. 179083

From the library of: Diamond Needle Corp